

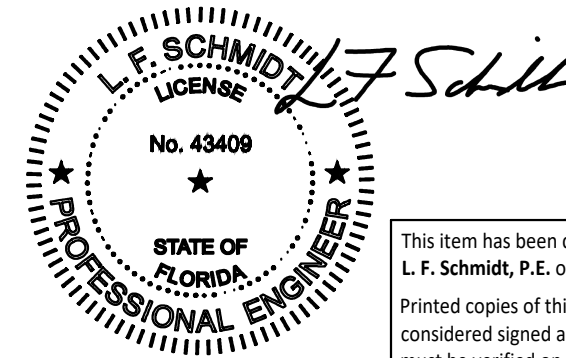


Windsor Series

SLIDING PATIO DOOR

w/ NAILING FIN

"NON-IMPACT"

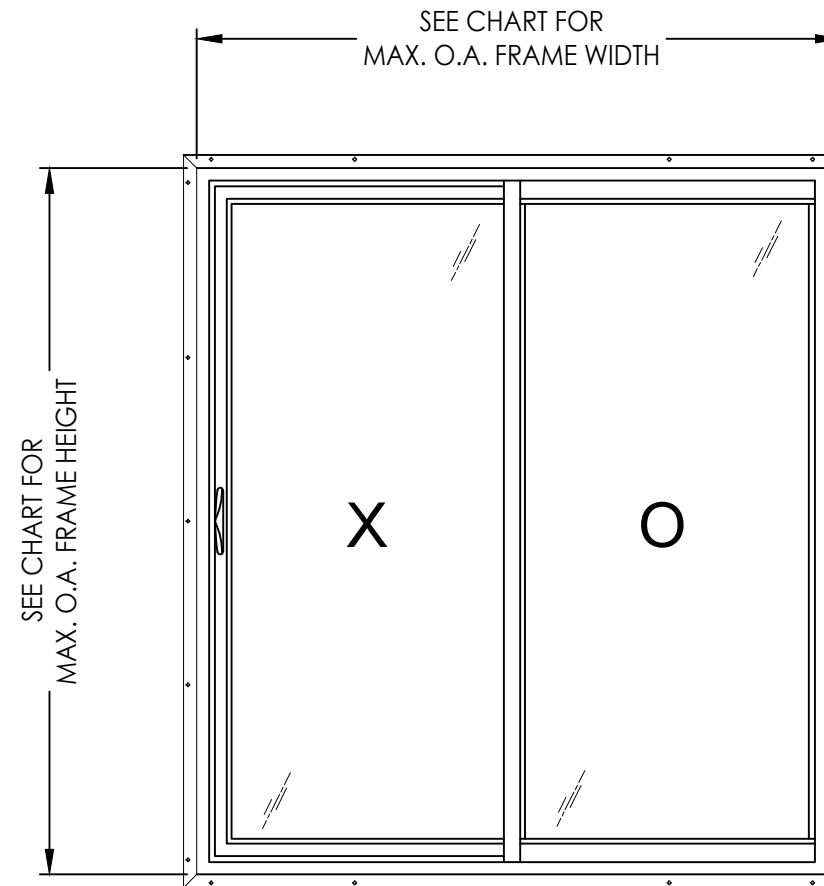


This item has been digitally signed and sealed by L. F. Schmidt, P.E. on the date adjacent to the seal. Printed copies of this document are not considered signed and sealed and the signature must be verified on any electronic copies.

THIS PRODUCT APPROVAL IS VALID ONLY FOR THE STATE OF FLORIDA

Documents Prepared By:
Lyndon F. Schmidt
P.E. No. 43409

RW BUILDING CONSULTANTS, INC.
P.O. Box 230, Valrico, FL 33595
Phone No.: 813.659.9197
FBPE Registry No. 9813



GENERAL NOTES

1. This product anchoring drawing is in compliance with the 8th Edition (2023) Florida Building Code (FBC) structural requirements excluding the "High Velocity Hurricane Zone" (HVHZ). See the Certification Agency Certificate for sizes, specifications and ratings.
2. Product anchors shall be as listed and spaced as shown on details. Anchor embedment to base material shall be beyond wall dressing or stucco.
3. When used in areas requiring wind borne debris protection this product is required to be protected with an impact resistant covering that complies with FBC Sections 1609.1.2 & R301.2.1.2.
4. Site conditions that deviate from the details of this drawing require further engineering analysis by a licensed engineer or registered architect.

TABLE OF CONTENTS

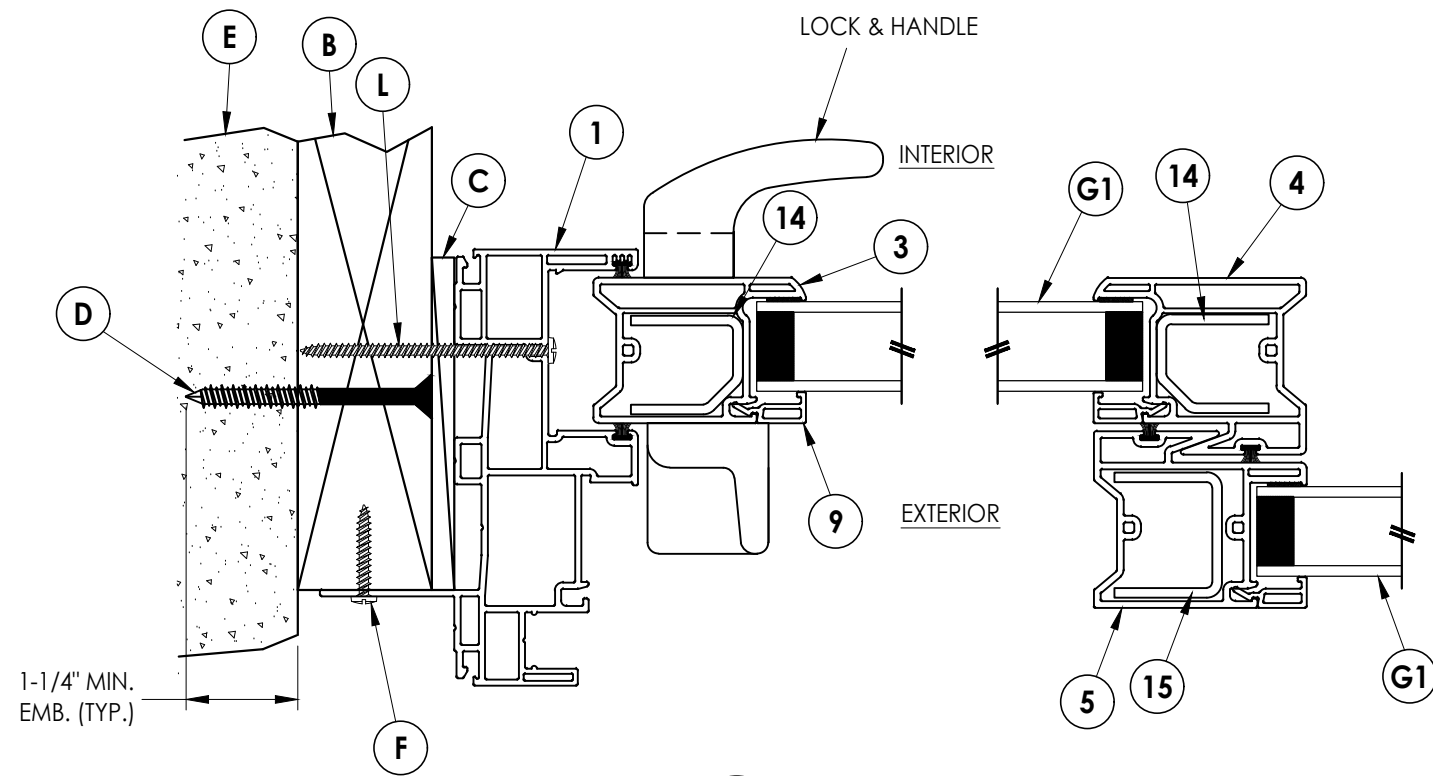
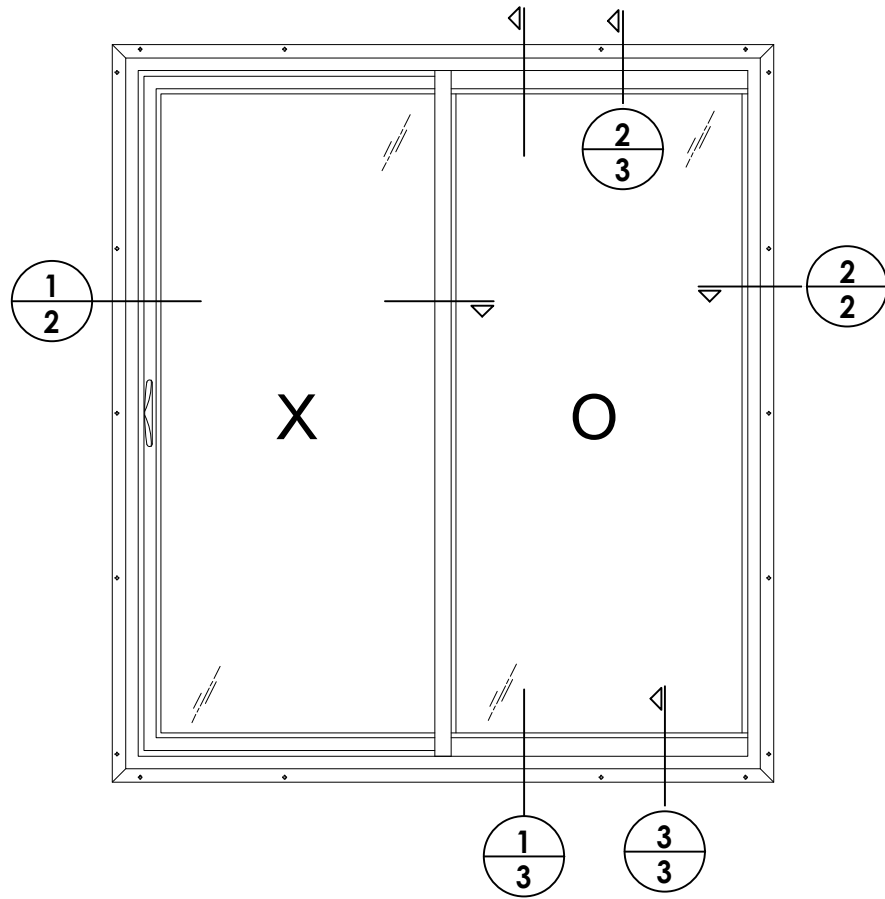
SHEET#	DESCRIPTION
1	Typical elevations, design pressures and general notes
2	Horizontal cross sections
3	Vertical cross sections
4	Buck and frame anchoring
5	Bill of materials, glazing details & components

MAX. FRAME DIMENSION	MAX. D.L.O. DIMENSION	GLASS TYPE	DESIGN PRESSURE (PSF)	
			POSITIVE	NEGATIVE
70.87" X 79.33"	31.38" x 71.46"	G1	+50.0	-50.0

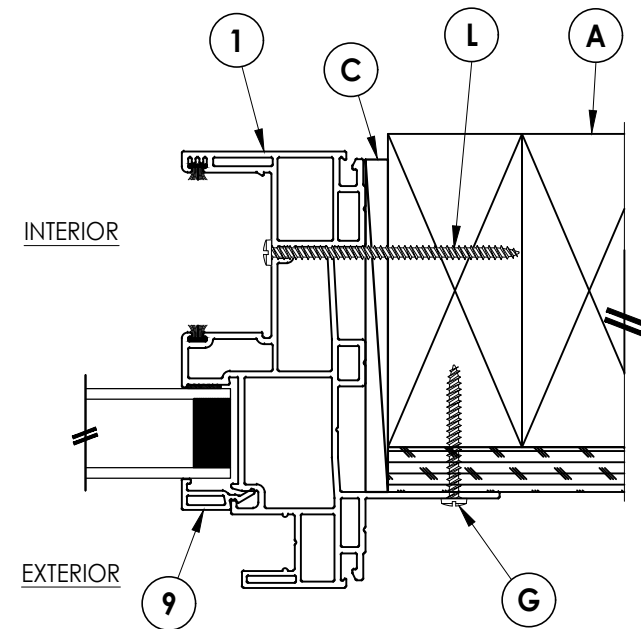
PRODUCT:	NOVATECH PATIO DOOR
PART OR ASSEMBLY:	TYPICAL ELEVATION, DESIGN PRESSURES & GENERAL NOTES

NO.	DATE	BY	REVISIONS

DATE:	6/26/24
SCALE:	N.T.S.
DWG. BY:	JK
CHK. BY:	LFS
DRAWING NO.:	FL-46881.1
SHEET	1 OF 5



1 HORIZONTAL CROSS SECTION
2 Shown w/ 2X Buck



2 HORIZONTAL CROSS SECTION
2 Shown w/ Stud Construction

Documents Prepared By:
 Lyndon F. Schmidt
 P.E. No. 43409

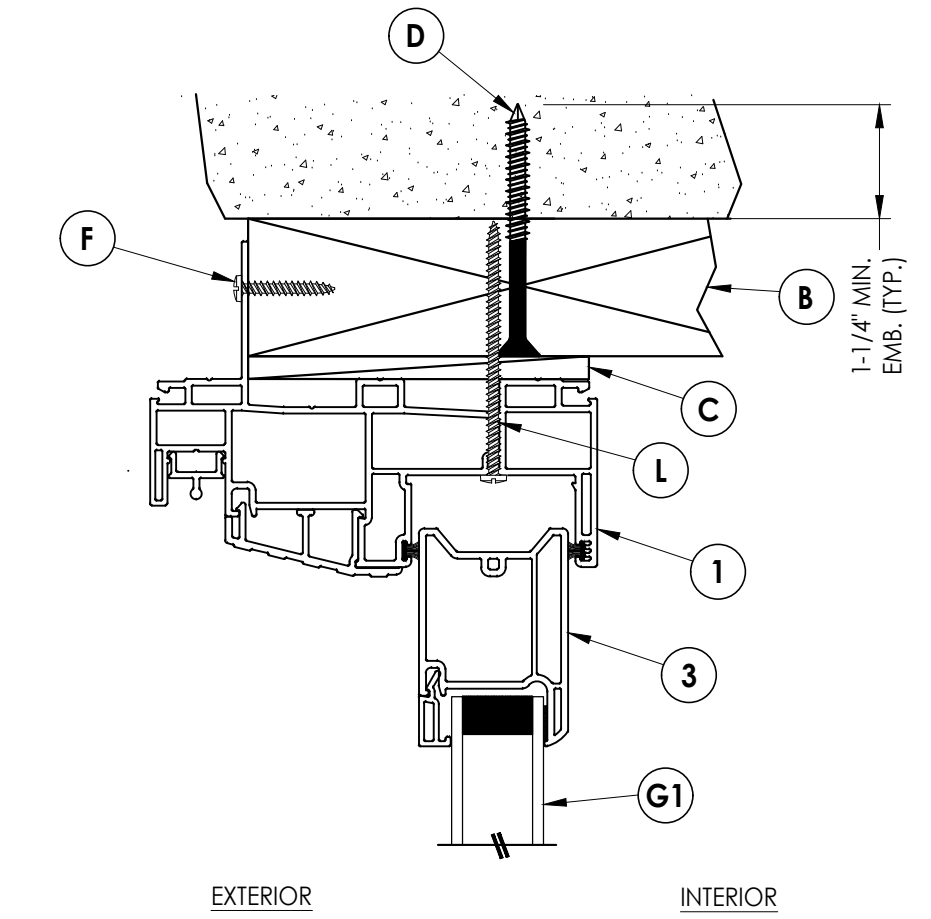
RW BUILDING CONSULTANTS, INC.
 P.O. Box 230, Valrico, FL 33595
 Phone No.: 813.659.9197
 FBPE Registry No. 9813

PRODUCT:
 NOVATECH
 PATIO DOOR

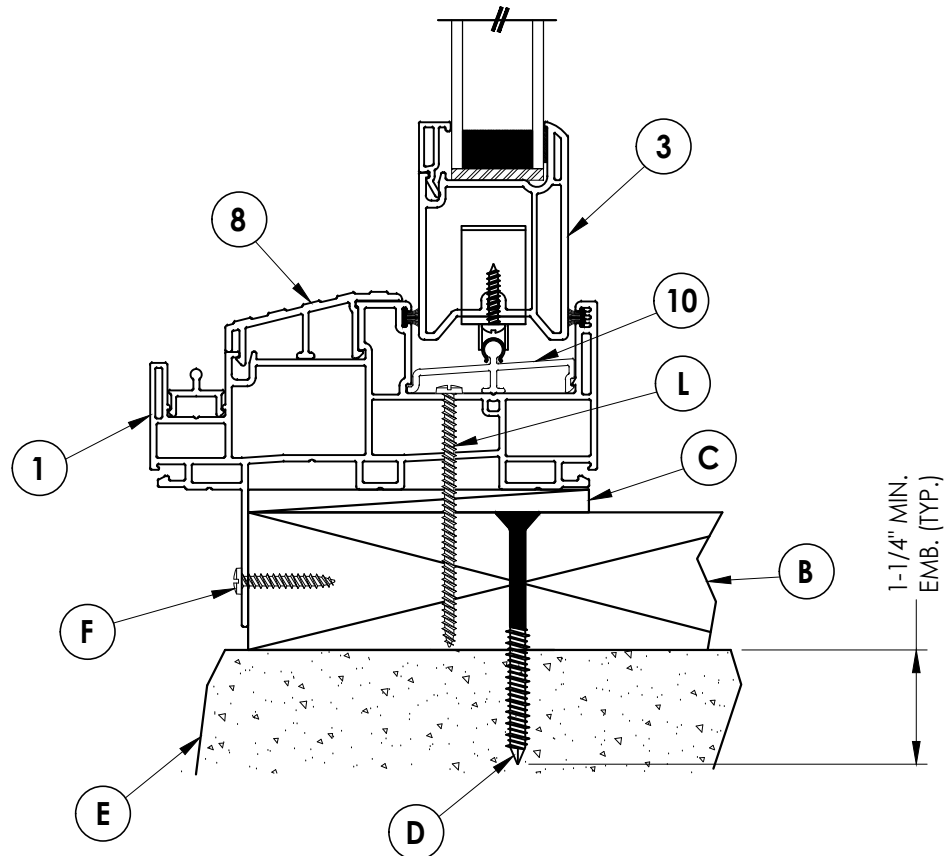
PART OR ASSEMBLY:
 HORIZONTAL
 CROSS SECTIONS

NO.	DATE	BY	REVISIONS

DATE: 6/26/24
 SCALE: N.T.S.
 DWG. BY: JK
 CHK. BY: LFS
 DRAWING NO.:
 FL-46881.1
 SHEET 2 OF 5

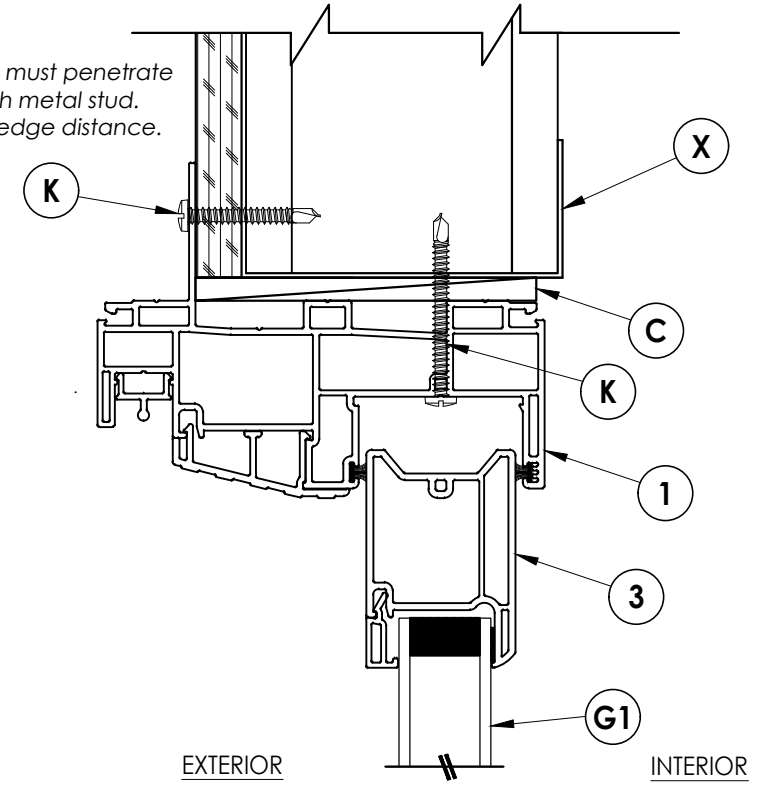


1 VERTICAL CROSS SECTION
 Shown w/ 2X Buck

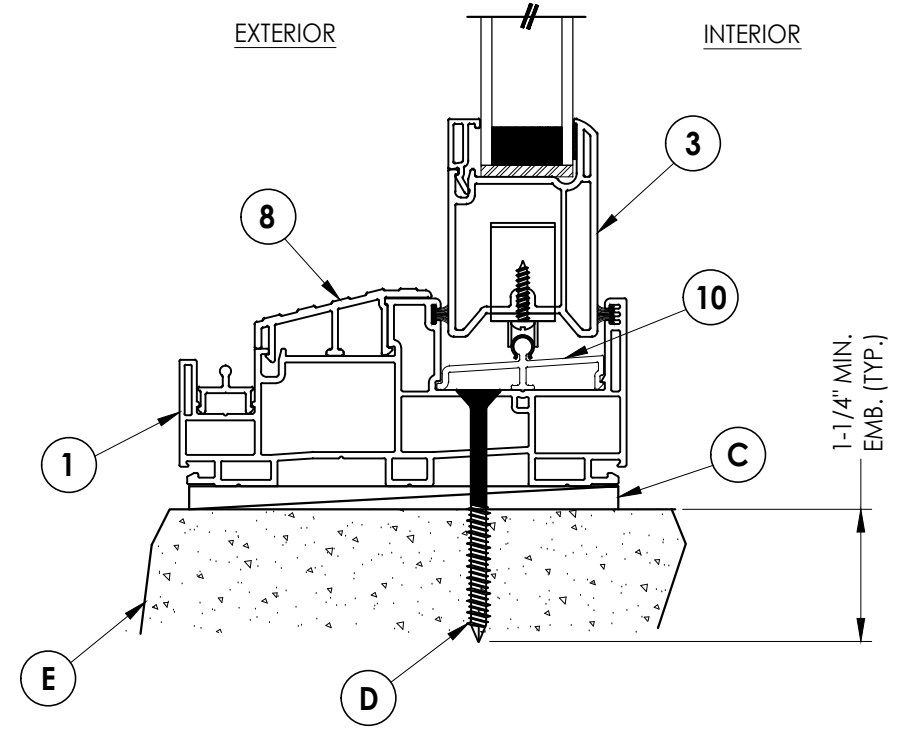


3 VERTICAL CROSS SECTION
 Shown Direct to Masonry

NOTE: Sheet Metal Screws must penetrate a min. of 3 threads through metal stud. Maintain a minimum 5/8" edge distance.



2 VERTICAL CROSS SECTION
 Shown w/ Steel Stud Framing



Documents Prepared By:
 Lyndon F. Schmidt
 P.E. No. 43409

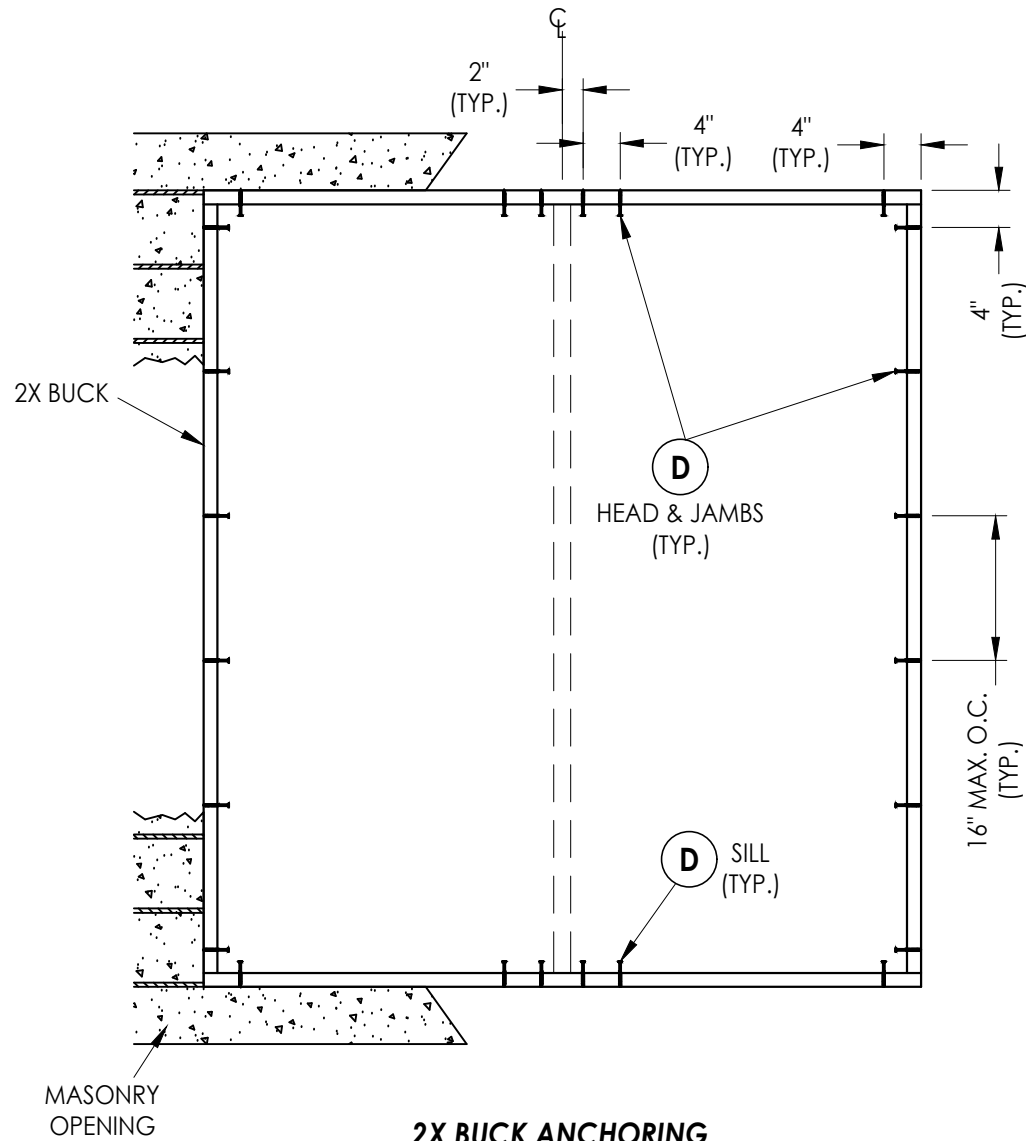
RW BUILDING CONSULTANTS, INC.
 P.O. Box 230, Valrico, FL 33595
 Phone No.: 813.659.9197
 FBPE Registry No. 9813

PRODUCT:
 NOVATECH
 PATIO DOOR

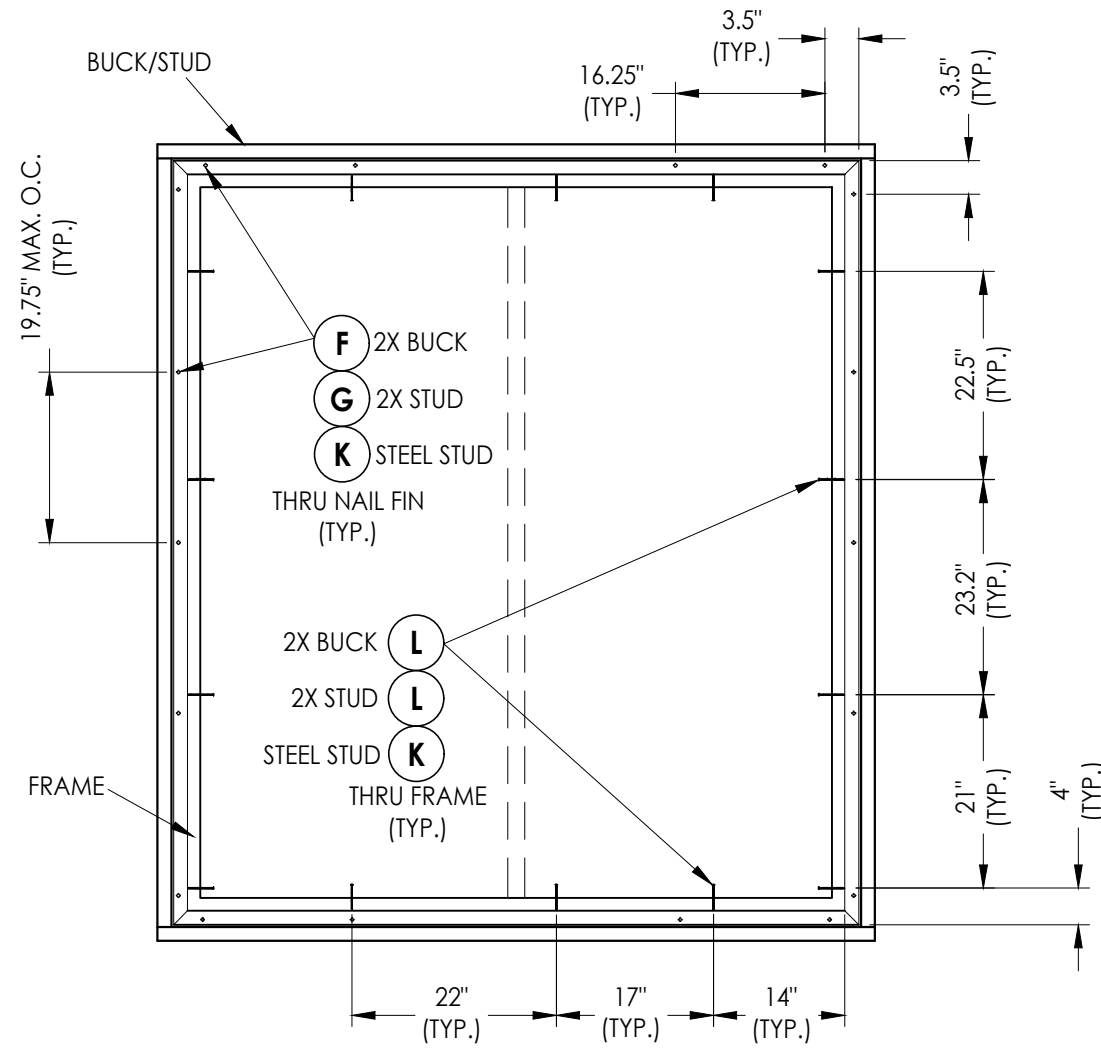
PART OR ASSEMBLY:
 VERTICAL
 CROSS SECTIONS

NO.	DATE	BY

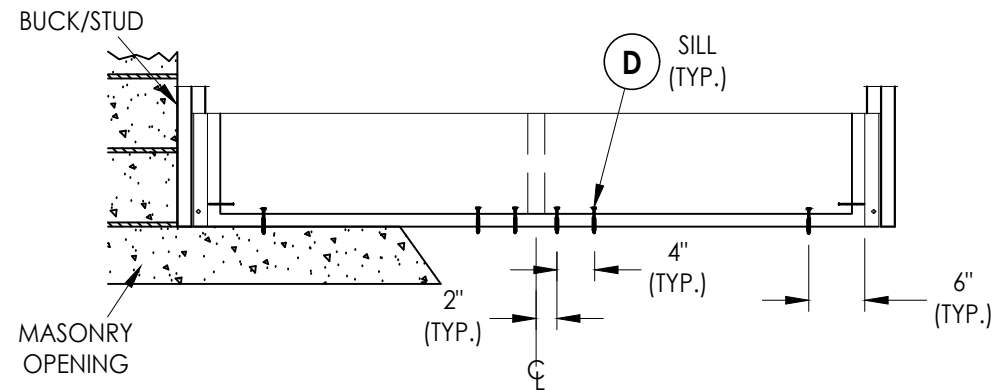
DATE: 6/26/24
 SCALE: N.T.S.
 DWG. BY: JK
 CHK. BY: LFS
 DRAWING NO.:
 FL-46881.1
 SHEET 3 OF 5



2X BUCK ANCHORING



FRAME ANCHORING



**ALTERNATE FRAME ANCHORING
DIRECT TO MASONRY @ SILL**

CONCRETE ANCHOR NOTES:

1. Concrete anchor locations at the corners may be adjusted to maintain the min. edge distance to mortar joints.
2. Concrete anchor locations noted as "MAX. ON CENTER" must be adjusted to maintain the min. edge distance to mortar joints, additional concrete anchors may be required to ensure the "MAX. ON CENTER" dimension are not exceeded.
3. Concrete anchor table:

ANCHOR TYPE	ANCHOR SIZE	MIN. EMBEDMENT	MIN. CLEARANCE TO MASONRY EDGE	MIN. CLEARANCE TO ADJACENT ANCHOR
ITW TAPCON®	1/4"	1-1/4"	2"	4"
DeWALT ULTRACON®	1/4"	1-1/4"	1"	4"

WOOD SCREW INSTALLATION NOTES:

1. Maintain a minimum 5/8" edge distance, 1" end distance, & 1" o.c. spacing of wood screws to prevent the splitting of wood.

Documents Prepared By:
Lyndon F. Schmidt
P.E. No. 43409

RW BUILDING CONSULTANTS, INC.
P.O. Box 230, Valrico, FL 33595
Phone No.: 813.659.9197
FBPE Registry No. 9813

PRODUCT:
NOVATECH
PATIO DOOR

PART OR ASSEMBLY:
BUCK & FRAME ANCHORING

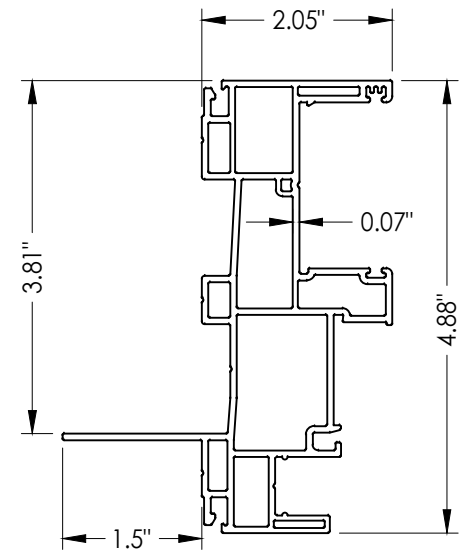
NO.	DATE	BY

DATE: 6/26/24
SCALE: N.T.S.
DWG. BY: JK
CHK. BY: LFS
DRAWING NO.: FL-46881.1
SHEET 4 OF 5

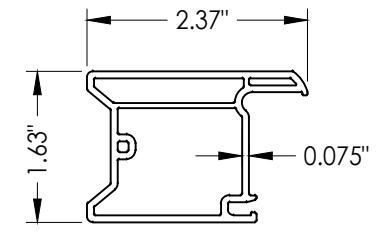
BILL OF MATERIALS

ITEM #	DESCRIPTION	MATERIAL
A	2X FRAMING (G >= 0.42)	WOOD
B	2X BUCK (G >= 0.42)	WOOD
C	1/4" MAX. SHIM SPACE	-
D	1/4" X 2-3/4" PFH DeWALT OR ITW CONCRETE SCREW	STEEL
E	MASONRY - 3000 PSI MIN. CONCRETE CONFORMING TO ACI 301 OR HOLLOW BLOCK CONFORMING TO ASTM C90	CONCRETE
F	#8 X 1" PPH SMS (7/8" MIN. EMBEDMENT)	STEEL
G	#8 X 1-1/2" PPH SMS (7/8" MIN. EMBEDMENT)	STEEL
L	#8 X 2-3/4" PPH SMS (1-3/8" MIN. EMBEDMENT)	STEEL
K	#10 PPH SELF-DRILLING SMS	STEEL
X	STEEL STUD Min. Thk .033" (ASTM A653 GRADE 33 Fy=33 ksi min., Fu=45 ksi min.)	STEEL
1	FRAME*	PVC
3	SASH*	PVC
4	MOVING INTERLOCK*	PVC
5	FIXED INTERLOCK MULLION*	PVC
8	TRACK COVER	S.S.
9	GLAZING BEAD*	PVC
10	ROLLER TRACK*	PVC
14	REINFORCEMENT (SASH & MOVING INTERLOCK)	STEEL
15	REINFORCEMENT (FIXED INTERLOCK MULLION)	STEEL

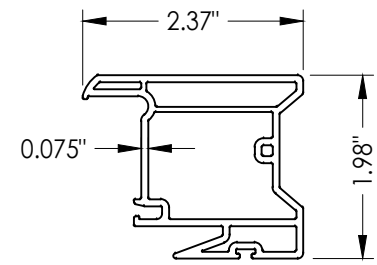
* THE APPROVED WHITE RIGID PVC EXTRUSIONS FOR WINDOWS ARE TO BE PRODUCED BY EXTRUDERS LICENSEES IN "AAMA CERTIFICATIONS PROGRAMS FOR RIGID PVC EXTRUSIONS".



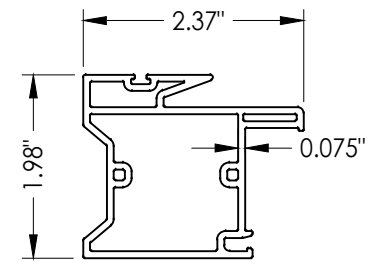
1 FRAME



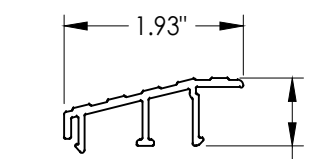
3 SASH



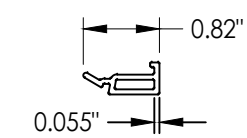
4 MOVING INTERLOCK



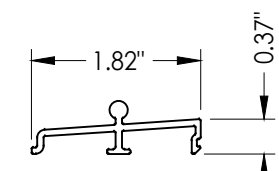
5 FIXED INTERLOCK MULLION



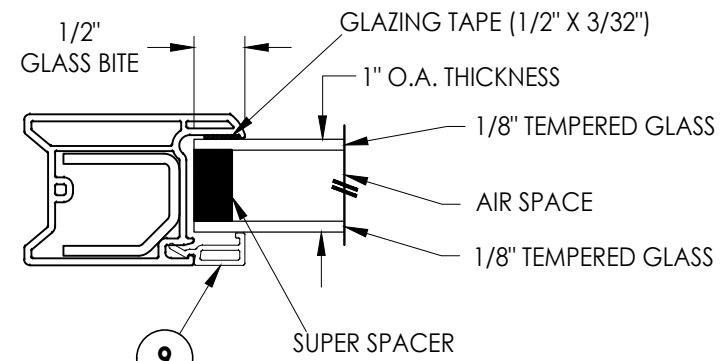
8 TRACK COVER



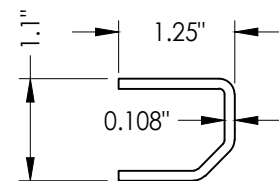
9 GLAZING BEAD



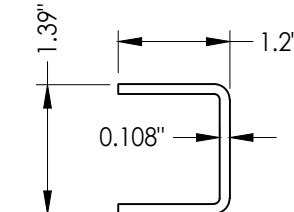
10 ROLLER TRACK



G1 GLAZING DETAIL



14 REINFORCEMENT
SASH & MOVING INTERLOCK



15 REINFORCEMENT
FIXED INTERLOCK MULLION

Documents Prepared By:
Lyndon F. Schmidt
P.E. No. 43409

RW BUILDING CONSULTANTS, INC.
P.O. Box 230, Valrico, FL 33595
Phone No.: 813.659.9197
FBPE Registry No. 9813

PRODUCT: NOVATECH PATIO DOOR
PART OR ASSEMBLY: BILL OF MATERIALS, GLAZING DETAILS & COMPONENTS

NO.	DATE	BY	REVISIONS

DATE: 6/26/24
SCALE: N.T.S.
DWG. BY: JK
CHK. BY: LFS
DRAWING NO.: FL-46881.1
SHEET 5 OF 5